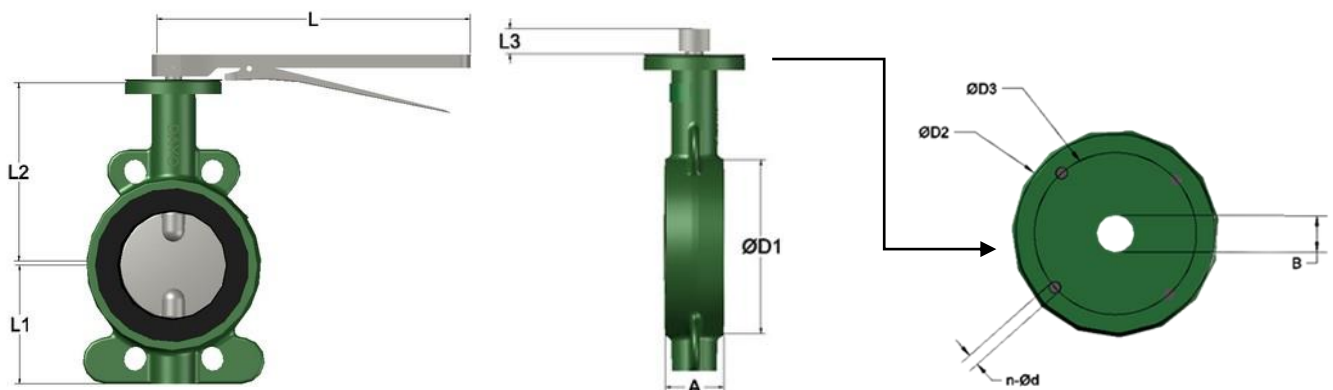
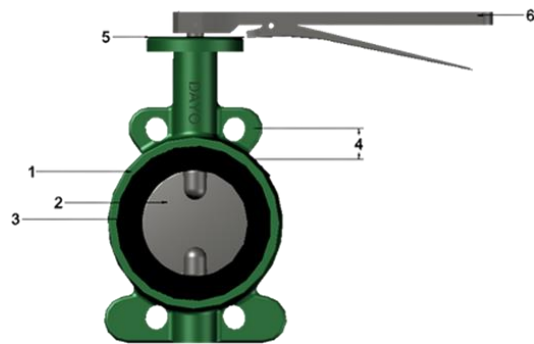




ANSI CLASS 150
LOCK LEVER OPERATED
CAST IRON / DUCTILE IRON BODY
STAINLESS STEEL DISC / DUCTILE IRON DISC
40mm – 600mm

BUTTERFLY VALVE LEVER TYPE

BUTTERFLY VALVE LEVER TYPE	
PARTS	MATERIALS
1. Body	Cast Iron
2. Disc	Ductile Iron, CF8, CF8M
3. Seat	NBR, EPDM, VITON, PTFE
4. Connection	Wafer / Semi Lugged
5. OP	Lock Lever
6. Handwheel	Cast Iron



DIMENSIONS (mm)											
Size	DN	A	ØD1	L1	L2	L3	B	ØD2	ØD3	n-Ød	L
1½"	DN40	34	62.5	55.5	111.5	25	9	65	50	4-8	249
2"	DN50	43	80	72	132	25	9	65	50	4-8	249
2½"	DN65	46	95	86	138	25	9	65	50	4-8	249
3"	DN80	46	113	96	153	25	9	65	50	4-8	249
4"	DN100	52	135	108	167	28	11	90	70	4-10	283
5"	DN125	56	163	125	184	28	14	90	70	4-10	283
6"	DN150	56	190	138	195	28	14	90	70	4-10	283
8"	DN200	60	244	170	236	33	17	125	102	4-12	283
10"	DN250	68	298	209	266	33	22	125	102	4-12	390
12"	DN300	78	350	236	305	33	22	125	102	4-12	390