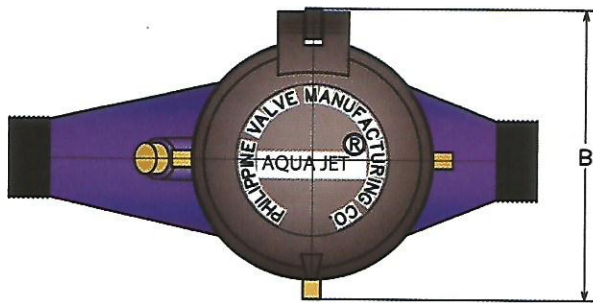




Accredited by Maynilad Water Services, Inc. and Manila Water Co.

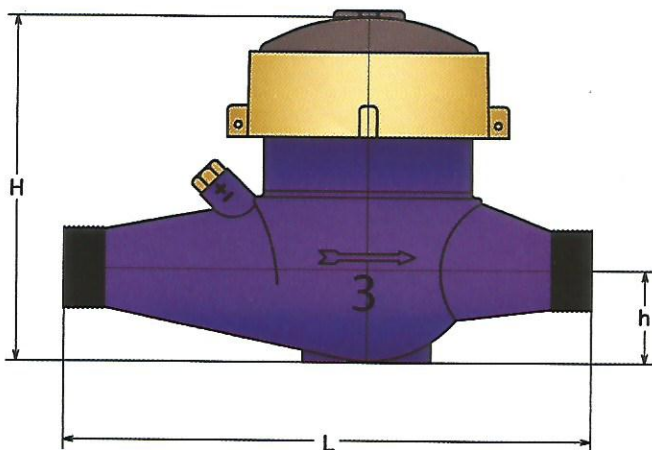


Top View

NOMINAL SIZE (mm)	L	H	h	B
15	165	110	27	89.5
20	190	118	36	98
25	280	126	43	98
32	280	126	43	98
40	300	149	62	130

EMBOSSD AT BACK SIDE
Q MAX RATING SIZE (mm)
SERIAL NO.

MODEL 168-METER IS AN INFERENTIAL MULTI-JET DRY DIAL METER FOR COLD WATER. THE MAGNET COUPLING OF THE REGISTER IS PERFECTLY PROTECTED BY A SPECIAL ANTI-MAGNETIC STRUCTURE FROM THE EXTERNAL MAGNETIC FIELD UP TO 1500 GAUSS.



Side View

THE DISTRIBUTOR IS SPECIALLY DESIGNED TO WORK IN THE MANNER THAT THE TURBINE STOPS OR ROTATES IN THE RIGHT DIRECTION IN REVERSE FLOW CONDITION.

THE INTERNAL ADJUSTING DEVICE CAN BE REGULATED ACCURATELY COMPLYING WITH ISO 4064 CLASS B.

SIZE (mm)	OVERALL LENGTH WITH TAIL PIECES (mm)	METER CASTING SPUDS THREADED ENDS (ISO 228/1)	COUPLING THREADED ENDS (TAIL PIECES ISO 7/1)
15	311	G 3/4B	R 1/2
20	336	G 1B	R 3/4
25	406	G 1-1/4B	R 1
40	446	G 2B	R 1-3/4

AQUA JET Water Meter

