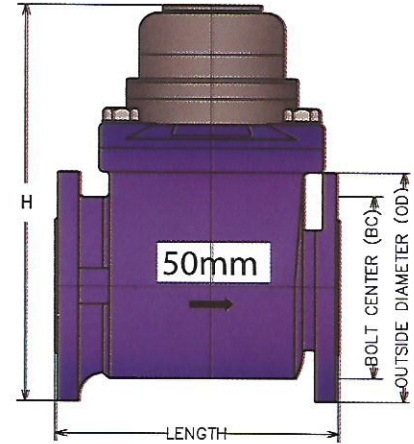


Top View



Front View

SIZE (mm)	L	H	CONNECTING FLANGE		
			OD	BC	CONNECTING BOLT
50	200	247	165	125	4-M16
80	225	264.5	200	160	8-M16
100	250	271.5	220	180	8-M16
150	300	301.5	285	240	8-M19
200	350	358.5	340	295	8-M19

SIZE	MAX FLOW	NOMINAL FLOW	TRANSITIONAL FLOW	MIN. FLOW	MIN. READING	MAX. READING
	m3 / h				m3	
50	30	15	3	0.45	0.01	999999.9
80	80	40	8	1.2	0.01	999999.9
100	120	60	12	1.8	0.01	999999.9
150	300	150	30	4.5	0.1	999999.9
200	500	250	50	7.5	0.1	999999.9

APPLICATION:

TOTALIZE THE TOTAL VOLUME OF COLD WATER THROUGH THE WATER MAIN PIPELINE IT IS SUITABLE FOR INDUSTRIAL USE.

OPERATING CONDITION:

THE WATER TEMPERATURE: UP TO 40°C THE MAXIMUM ADMISSIBLE WATER PRESSURE: 1MPa

FEATURES:

MODEL LXSC IS A FULL BORE HELIX TYPE, MAGNETIC DRIVE, DRY DIAL WATER METER WITH AN INTERCHANGEABLE MEASURING UNIT. IT HAS THE ADVANTAGES OF SMALL RESISTANCE, NEGLIGIBLE HEAD LOSS, BIG CAPACITY, EXCELLENT ACCURACY, AND LONG LIFE OF SERVICE. THE MEASURING UNIT WITH SEALED INDICATOR OFFERS THE METER WITH VERY CLEAR READING CONDITION.

NOTES:

THE TECHNICAL DATA CONFORM TO ISO 4064 STANDARD