



BRASS BALL VALVE FOR WATER ONLY

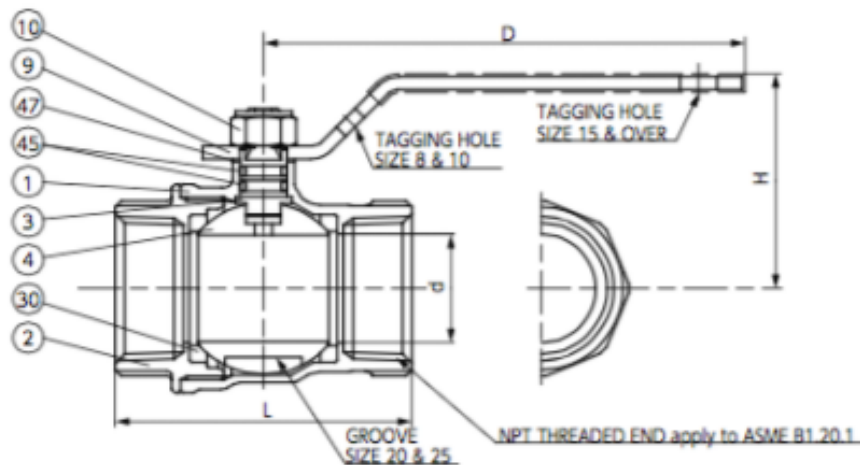
Pressure rating: 200 W.O.G. (363 psi)

Material

NO	NAME OF PARTS	QTY	MATERIALS
1	BODY	1	FORGED BRASS (Cu>57)
2	BODY CAP	1	FORGED BRASS (Cu>57)
3	STEM	1	BRASS ROD (Cu>57)
4	BALL	1	FORGED BRASS (Cu>57)
9	HANDLE	1	CARBON STEEL
10	HANDLE NUT	1	CARBON STEEL
30	BALL SEAT	2	PTFE
45	O RING	2	NBR
47	THRUST WASHER	1	PBT

Dimensions

NOMINAL SIZE	UNIT:mm			
	L	H	D	d
8	40.5	37	70	10
10	40.5	37	70	10
15	50.5	40	80	15
20	58	43	80	20
25	68.5	50	110	25
32	82	55	110	32
40	90.5	65	150	40
50	110	72	150	50



Technical Specification

Norminal Pressure	2.5MPa (363Psi)
Fluid	Water Only

P-T Rating

