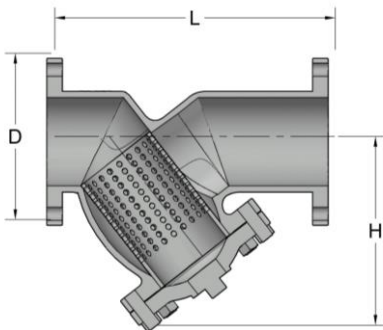
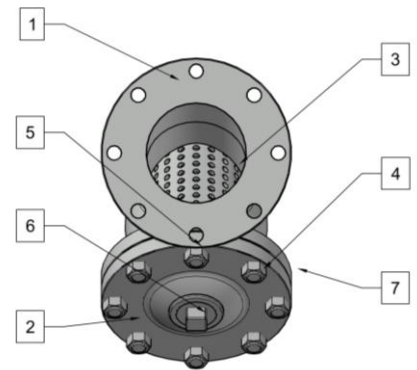




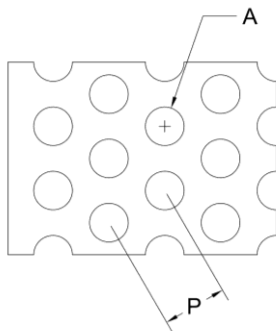
CLASS 125 / 200 W.O.G.
FLANGE TYPE
HYDROSTATICS PRESSURE: 125 PSI (NON-SHOCK)
SHELL TEST: 300 PSI

WYE STRAINER

WYE STRAINER		
PARTS	MATERIALS	ASTM SPECIFICATIONS
1. Body	Cast Iron	A126 CL. B
2. Cover	Cast Iron	A126 CL. B
3. Screen	Stainless Steel	A-167
4. Stud Bolt	Steel	A-284
5. Nut	Steel	A-284
6. Drain Plug	Malleable Iron	A-197
7. Gasket	Non-Asbestos	



DIMENSIONS (mm)									
Size	2" (50)	2½" (65)	3" (80)	4" (100)	5" (125)	6" (150)	8" (200)	10" (250)	12" (300)
L	220	270	290	350	390	440	540	660	780
H	152	178	190	229	254	279	343	406	483
D	157	194	210	256	318	364	441	530	599



MESH DETAIL (mm)		
VALVE	A	P
2" - 5"	1.5	2.5
6" & 8"	3.0	5.0
10" up	5.0	7.0