

KITZ

AKSZA

BRONZE BALL VALVE

W.O.G non-shock 4.14 Mpa (600 psi)
 W.O.G. 150°C 1.03 Mpa (150 psi)

Bolted body and cap, Blowout-proof Stem
 Double O-ring stem seals
 Threaded ends to ASME B1.20.1 or solder joint end.



Fig. AKSZA

Fig. CSZA

• Threaded end to ASME B1. 20. 1 • Solder joint to ASMB 16.18

Approvals
(up to 2)



NSF/ANSI61-8



CSA (US/C)

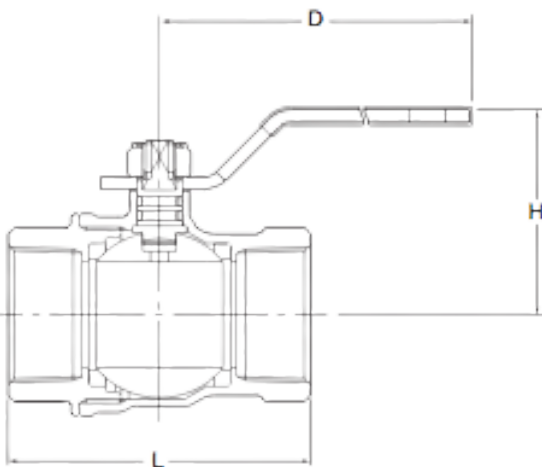


UL



FM

*AKSZA: Size 1/4 to 3, **AKSZA only



*Size 4 : W.O.G. non-shock 2.76MPa (400psi), W.O.G. 150°C 0.69MPa (100psi)

Materials

Parts	Material
Body	Brass/Bronze*
Body cap	Brass/Bronze*
Stem	Brass: Nickel plated
Ball	Brass: chrome free plated (Size 1/4 to 3) Brass: Nickel-chrome plated (Size 4)
Ball seat	PTFE
O-ring	FKM

*Size 4 only



Solder joint end valves should not be used in service where the temperature of line fluid is higher than the softening point of solder.

Dimensions

Nominal Size	inch	1/4	3/8	1/2	3/4	1	1 1/4	1 1/2	2	2 1/2	3	4
	mm	8	10	15	20	25	32	40	50	65	80	100
L		42	42	53	60	72	84	92	110	138	167	193
L1 Solder			46	54	73	88	100	115	140	164	187	
H		37	37	40	43	50	55	65	72	100	112	131
D		70	70	80	80	110	110	150	150	200	300	300